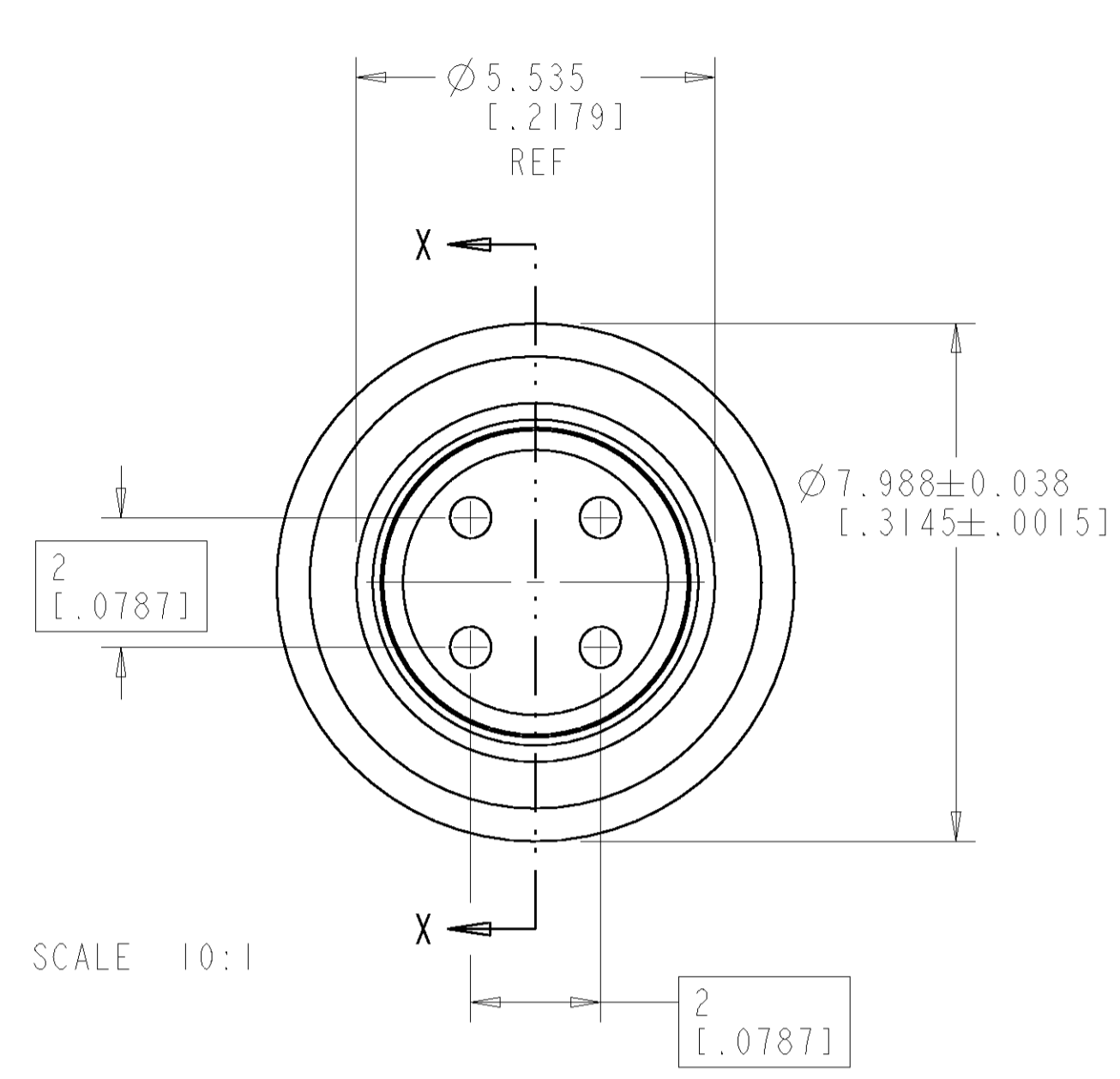
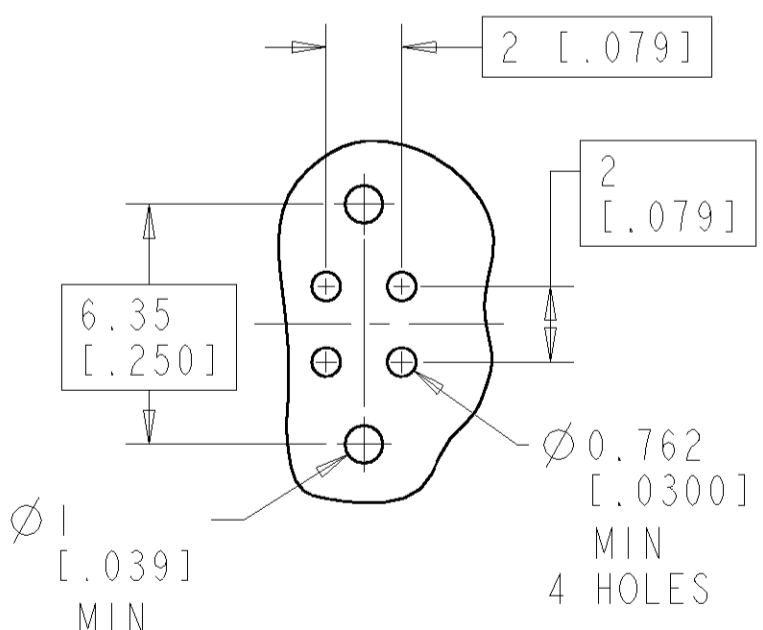
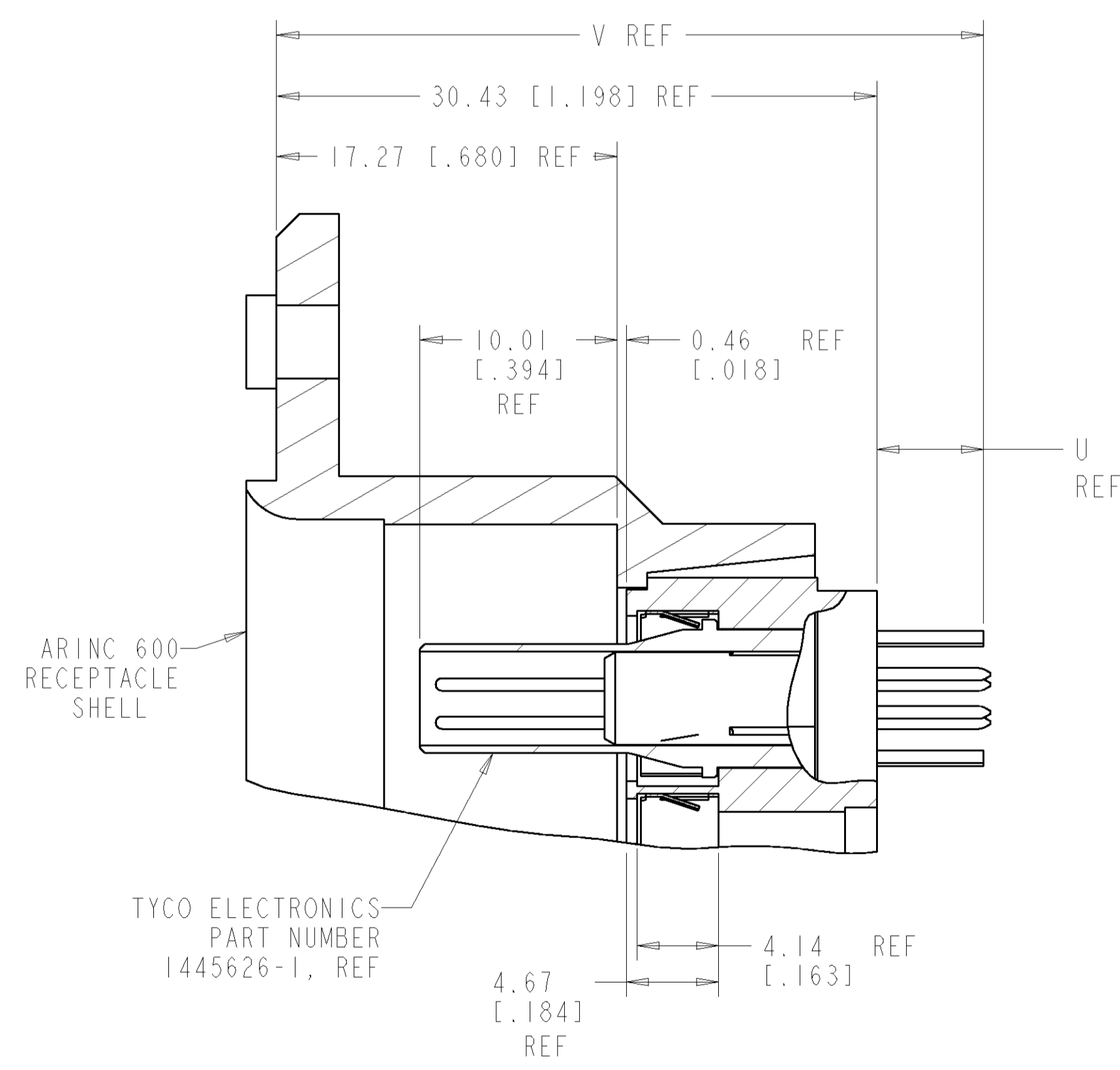
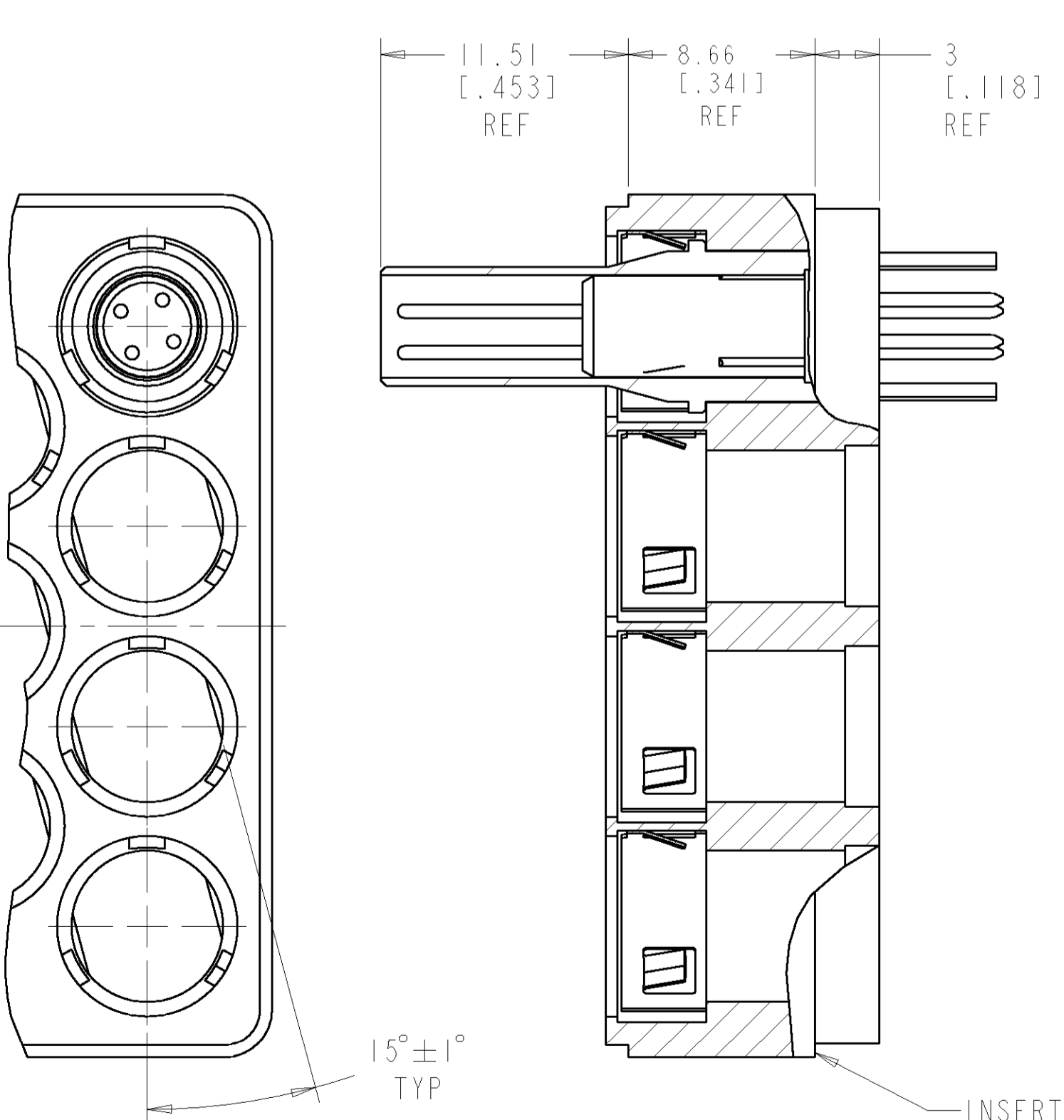
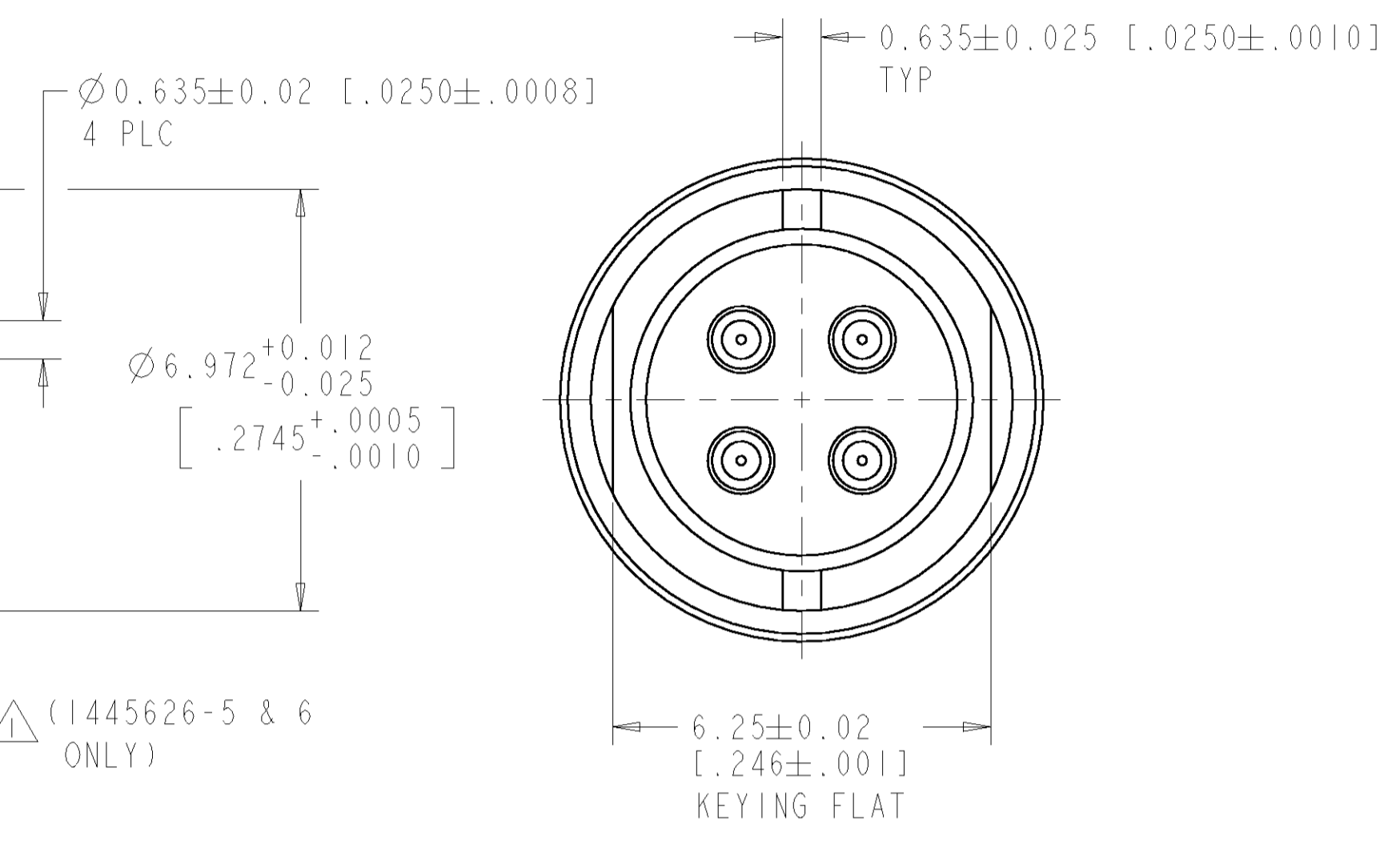
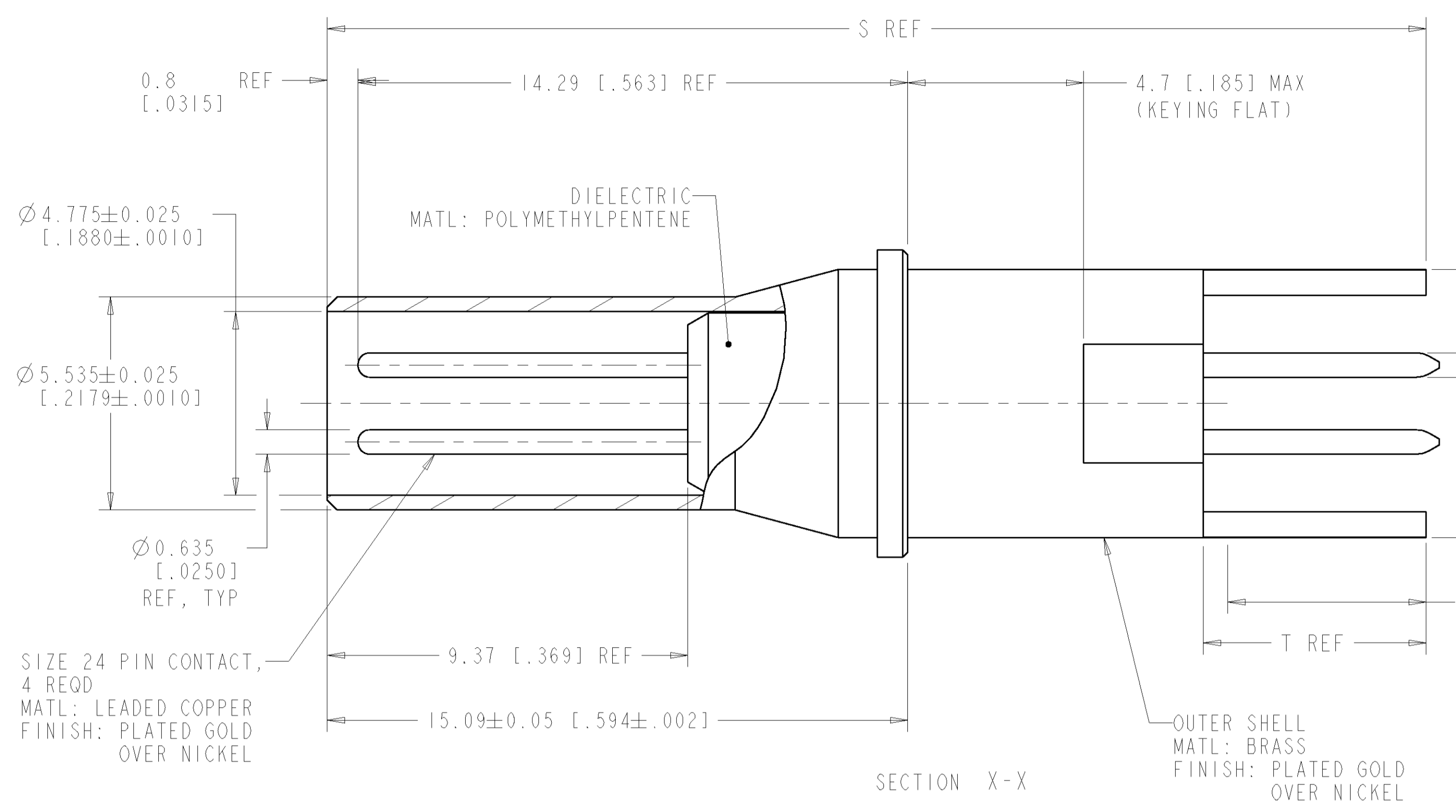


LOC	DIST	REV	DATE	BY	APPD
DF	A5	F	09NOV05	BH	RW
		REV PER ECR-05-012314			



SCALE 10:1



THIS AREA SOLDER DIPPED. SOLDER TAIL DIMENSIONS APPLY PRIOR TO SOLDER DIP.

QUADRAX PIN ASSY, 1445626-1, SHOWN INSTALLED IN ARINC 664, SIZE 2 INSERT WITH SIZE 8, FRONT RELEASE, FRONT REMOVABLE CAVITY

V REF	U REF	T REF	S REF	DESCRIPTION	PART NO.
35.84 [1.411]	5.41 [0.213]	5.79 [0.228]	28.58 [1.125]	SAME AS 1445626-1 EXCEPT TAILS ARE SOLDER DIPPED	1445626-6
36.78 [1.448]	6.35 [0.250]	7.54 [0.297]	30.33 [1.194]	SAME AS 1445626-4 EXCEPT TAILS ARE SOLDER DIPPED	1445626-5
36.78 [1.448]	6.35 [0.250]	7.54 [0.297]	30.33 [1.194]	PER ARINC 664 STANDARD; SAME AS 1445626-1 EXCEPT WITH .250 SOLDER TAIL LENGTH	1445626-4
34.65 [1.364]	4.2 [0.166]	4.60 [0.181]	27.38 [1.078]	PER ARINC 664 STANDARD; SAME AS 1445626-1 EXCEPT WITH .166 SOLDER TAIL LENGTH	1445626-3
39.95 [1.573]	9.52 [0.375]	10.72 [0.422]	33.50 [1.319]	PER ARINC 664 STANDARD; SAME AS 1445626-1 EXCEPT WITH .375 SOLDER TAIL LENGTH	1445626-2
35.84 [1.411]	5.41 [0.213]	5.79 [0.228]	28.58 [1.125]	PER ARINC 664 STANDARD; AS SHOWN ON SHEET 1	1445626-1

DIMENSIONS: mm [INCH]		TOLERANCES UNLESS OTHERWISE SPECIFIED:		DWG: Brent D. Yohn ENGR: W.H. BERNHART APVD: W.H. BERNHART DATE: JAN2004		tyco Tyco Electronics Harrisburg, PA 17105-3608	
MATERIAL: -		FINISH: -		PRODUCT SPEC: -		NAME: ASSEMBLY, PIN, QUADRAX, 2mm SQ, FRONT RELEASE-FRONT REMOVABLE, ADN, WITH PIN CONTACTS	
WEIGHT: -		APPLICATION SPEC: -		SIZE: 114-13123		RESTRICTED TO: -	
CUSTOMER DRAWING		SCALE: 5:1		SHEET: 1 OF 1		REV: F	